

BONDI LH



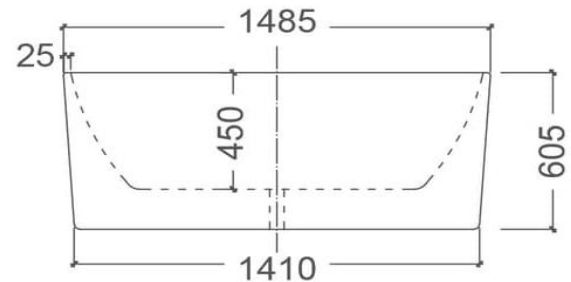
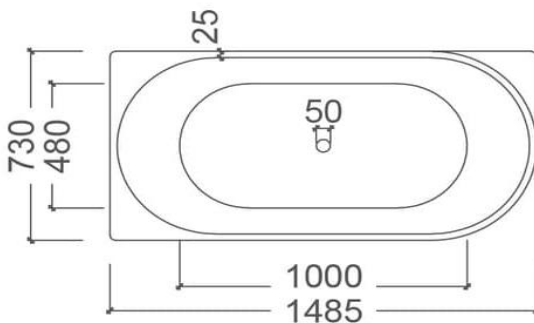
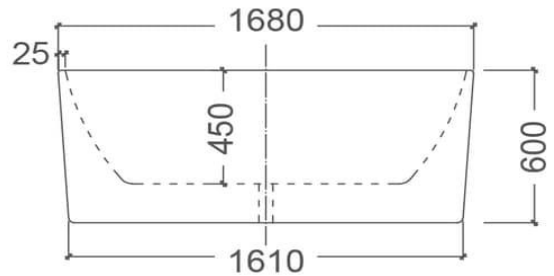
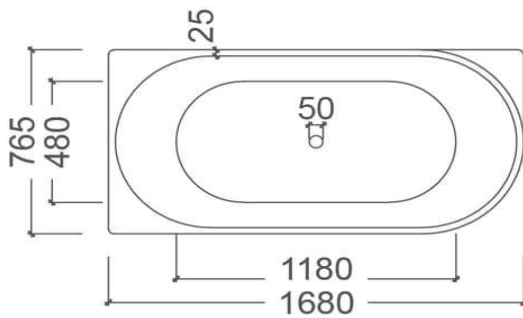
1680mm BT 258L

Weight: 45KG

1485mm BT BT 258LS

Weight: 43KG

SPECIFICATIONS



- Made from UV Stabilised Premium Sanitary-grade acrylic with Lucite MMA
- Built in steel support frame
- Adjustable self-supporting feet
- Gloss White Finish

CLEANING & MAINTENANCE:

Baths should be cleaned with a soft, non abrasive cloth

Avoid using waxes, solvents, abrasives, acids and other chemical based cleaners

Warranty will be void if damages are caused by unsuitable cleaning products

WARRANTY INFORMATION:

Baths have a 5 Year Replacement on Bath Shell

All Baths have a full 1 year in house labour warranty from date of purchase

Measurements subject to change due to manufacturing variations. Always use Physical Product for Roughing-In

ZENMO
Zen-inspired, Modern Living

ADDRESS: 42 Castro Way, Derrimut VIC 3026

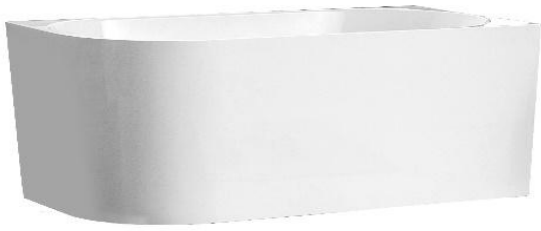
PHONE: (03) 8390 6300

OFFICE: ect_sales@outlook.com

SERVICE: ect_service@outlook.com

WEBSITE: www.zenmo.com.au

BONDI RH



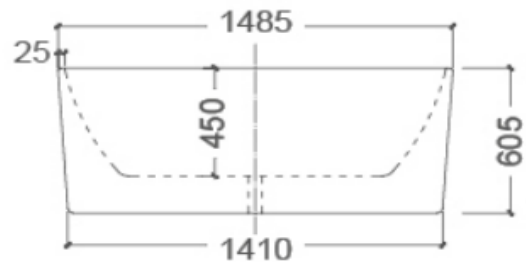
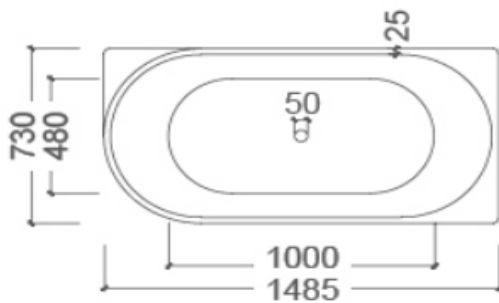
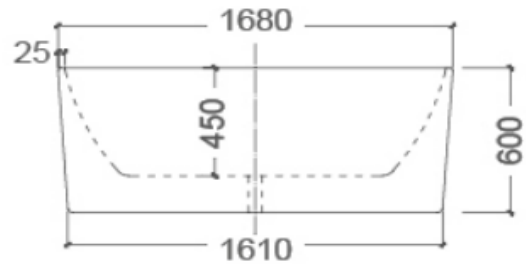
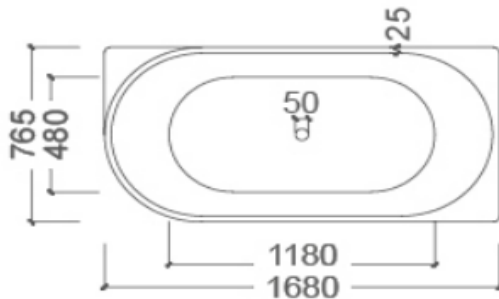
1680mm BT 258R

Weight: 45KG

1485mm BT 258RS

Weight: 43KG

SPECIFICATIONS



- Made from UV Stabilised Premium Sanitary-grade acrylic with Lucite MMA
- Built in steel support frame
- Adjustable self-supporting feet
- Gloss White Finish

CLEANING & MAINTENANCE:

Baths should be cleaned with a soft, non abrasive cloth

Avoid using waxes, solvents, abrasives, acids and other chemical based cleaners

Warranty will be void if damages are caused by unsuitable cleaning products

WARRANTY INFORMATION:

Baths have a 5 Year Replacement on Bath Shell

All Baths have a full 1 year in house labour warranty from date of purchase

Measurements subject to change due to manufacturing variations. Always use Physical Product for Roughing-In

ZENMO
Zen-inspired, Modern Living

ADDRESS: 42 Castro Way, Derrimut VIC 3026

PHONE: (03) 8390 6300

OFFICE: ect_sales@outlook.com

SERVICE: ect_service@outlook.com

WEBSITE: www.zenmo.com.au