

# PRODUCT SPECIFICATION SHEET

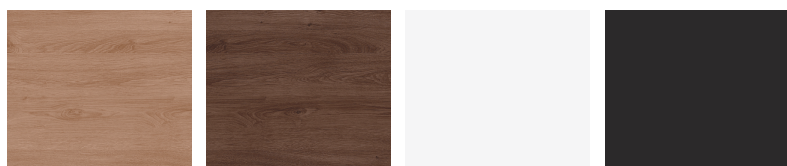


\*Axel profile shown, Vanity top and handle options available

## LINEARE 750 SINGLE DRAWER VANITY

Model:	CMV-10-1-750	Internal cabinet colour:	Grey
Size:	736 x 482 x 430	Warranty:	5 years
Material:	Plywood, MDF	Drawer runners:	Hettich soft close
Installation:	Wall hung	Weight:	16.2Kg
Finish:	Matte thermofoil		

### Colour Range:



Devon Oak

Walnut

Matte White

Matte Black

### Profile options:



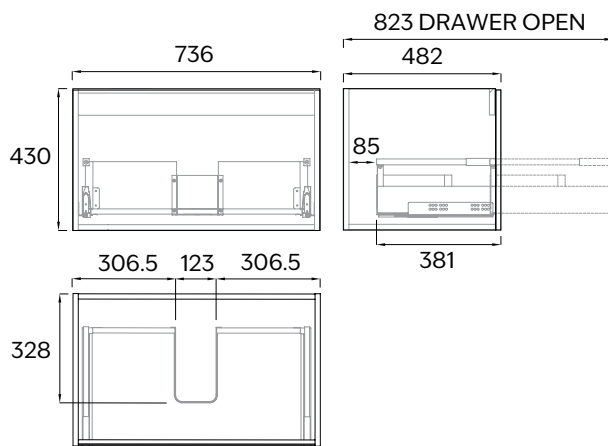
Axel

Loft

Coastal

Orchard

Pillar



Note: All measurements shown are in millimetres. Sizes are nominal.

Distributed by:

CODE  
INTERIORS

In accordance with our continuous product development, Code interiors sizes and specifications outlined in these specifications are subject to change without notice. Information detailed in this document represents the actual product available at the time of printing this sheet. For the latest version of this technical sheet please visit [www.codeinteriors.co.nz](http://www.codeinteriors.co.nz) or contact your nearest stockist to confirm any questions prior to purchase.

[sales@codeinteriors.co.nz](mailto:sales@codeinteriors.co.nz) | 09 973 4066 | [www.codeinteriors.co.nz](http://www.codeinteriors.co.nz)