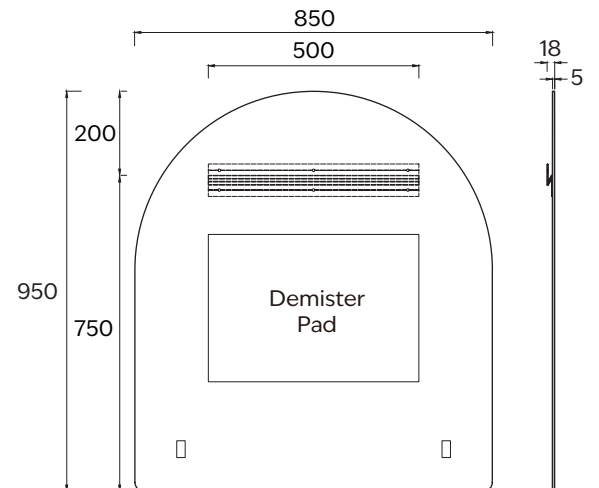




REFLEX ARCH MIRROR 850X950

Model: CM-21-A850
Size: 850*950*18
Demister Pad: Yes
IP Rating: IP65
Warranty: 5 years

Weight: 10Kg



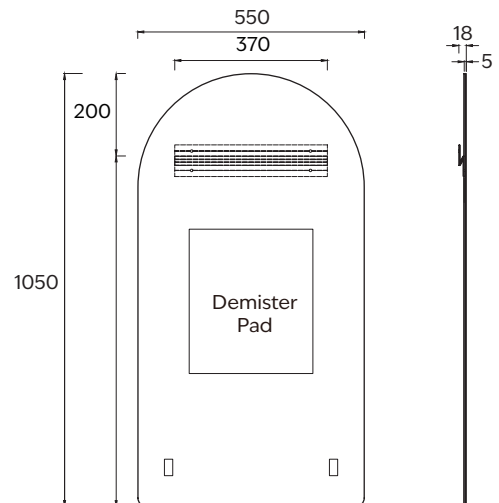
Note: All measurements shown are in millimetres. Sizes are nominal.



REFLEX ARCH MIRROR 550X1050

Model: CM-21-A1050
Size: 550*1050*18
Demister Pad: Yes
IP Rating: IP65
Warranty: 5 years

Weight: 11Kg



Note: All measurements shown are in millimetres. Sizes are nominal.